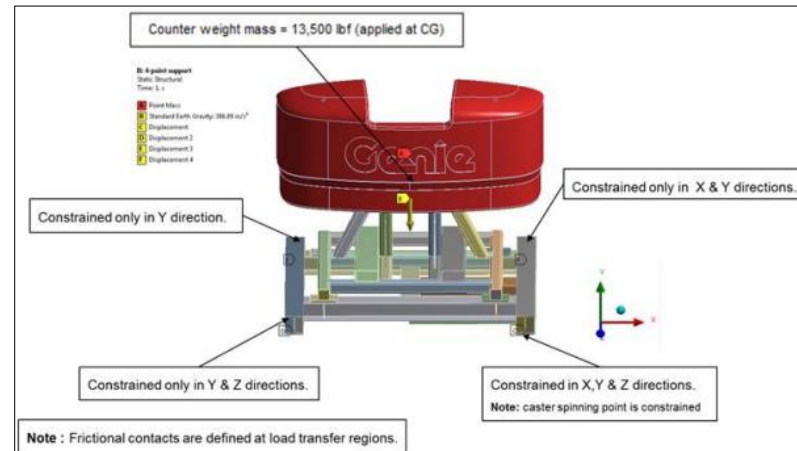
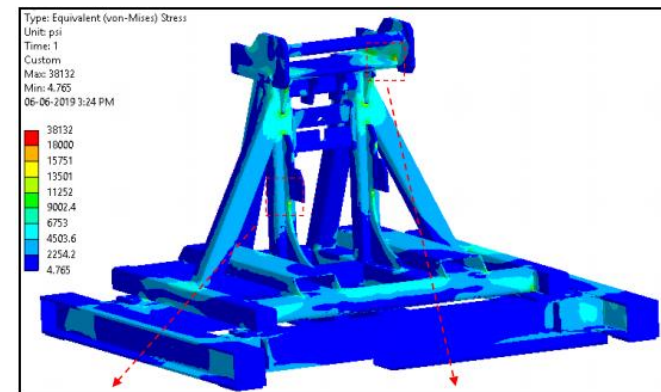


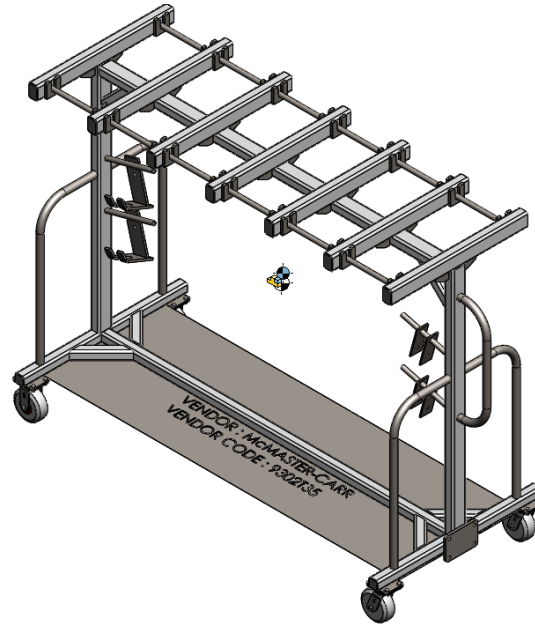
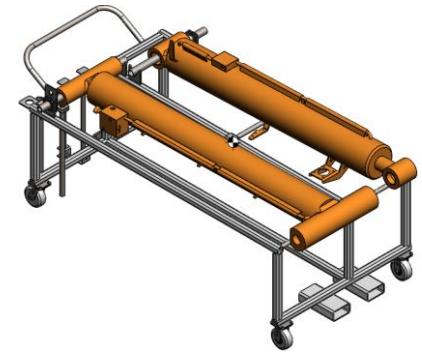
## Counterweight Paint Carts

- The cart carries the Counterweights taken out during tear down to the paint shop for painting and the painted Counterweights are brought back to the Assembly line.
- The cart and the attachments are designed to provide 28 Inches of Spray Gun clearance from A and B Surfaces of Counterweights

### Projected Benefits:

- ✓ Productivity: Improved Productivity
- ✓ Safety: Safer lifts and handling as Counterweight stays in assembly orientation throughout



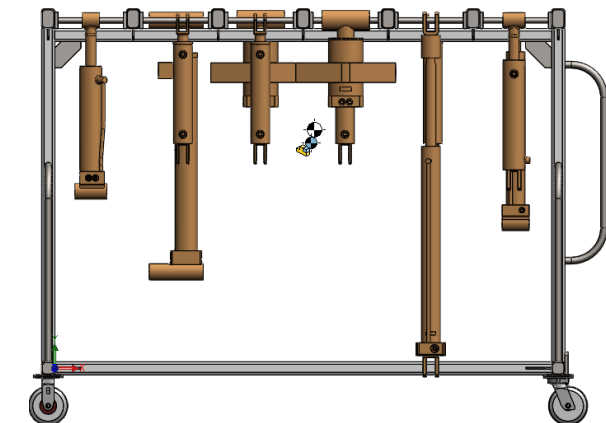


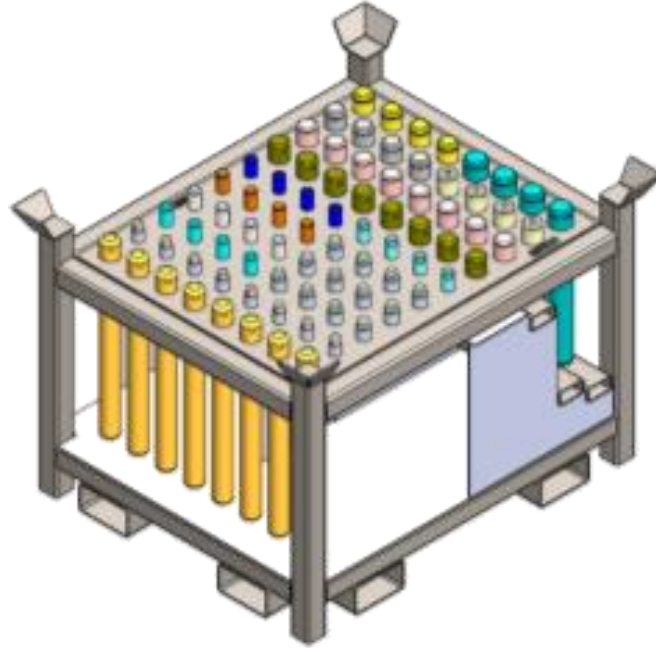
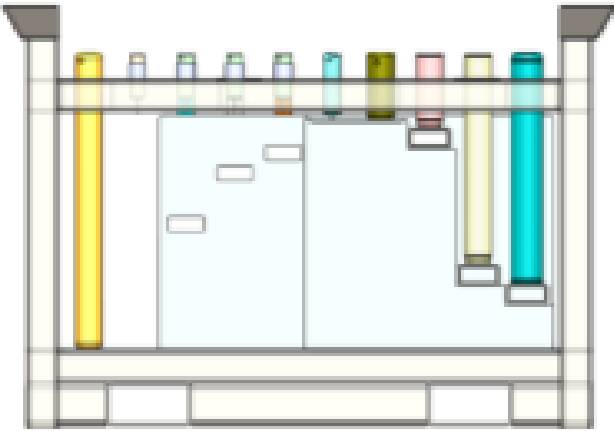
## Cylinder Paint Carts

- The carts carry the Hydraulic Cylinders taken out during tear down to the paint shop for painting and the painted cylinders are brought back to the Assembly line.
- The cart and the mounts are designed to provide 28 Inches of Spray Gun clearance from A and B Surfaces of Cylinders

## Projected Benefits:

- ✓ Productivity: Improved Productivity



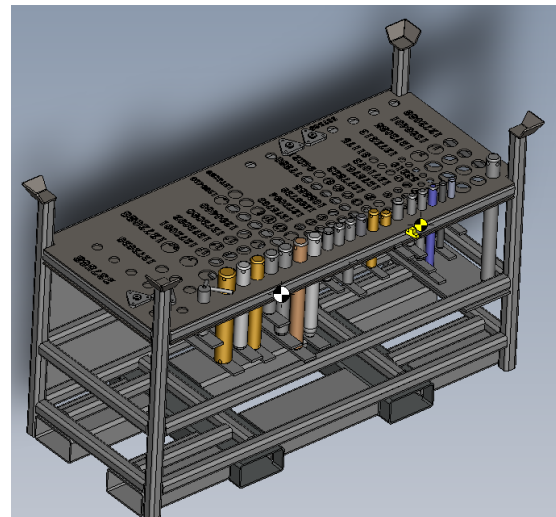


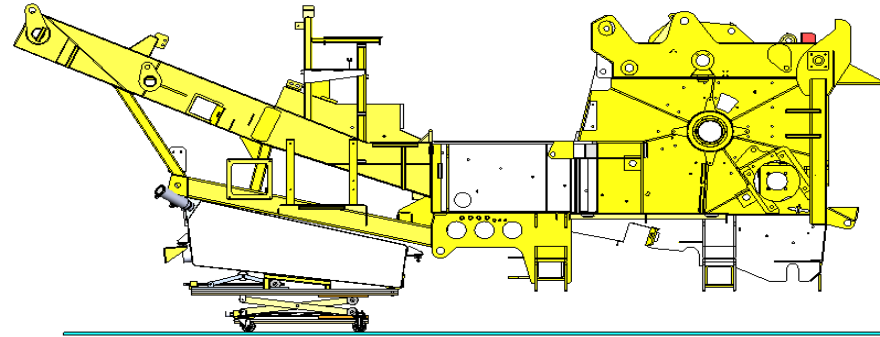
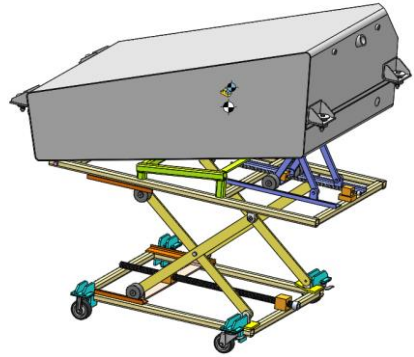
## Returnable parts Racks- Pins

- Designed returnable rack for multiple pins of different sizes at once.

### Projected Benefits:

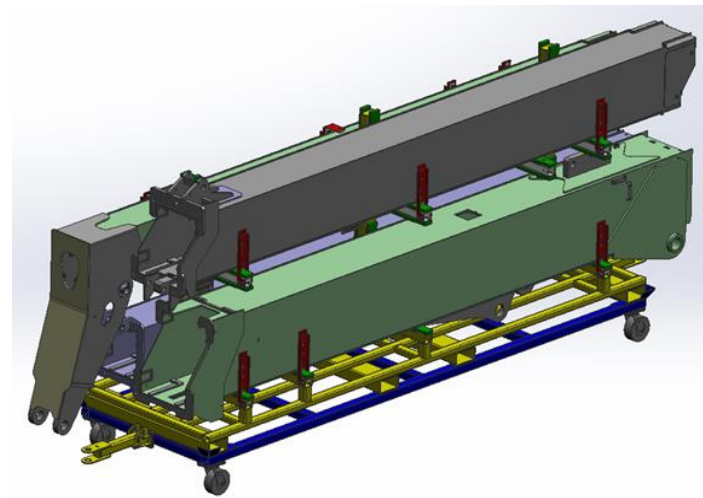
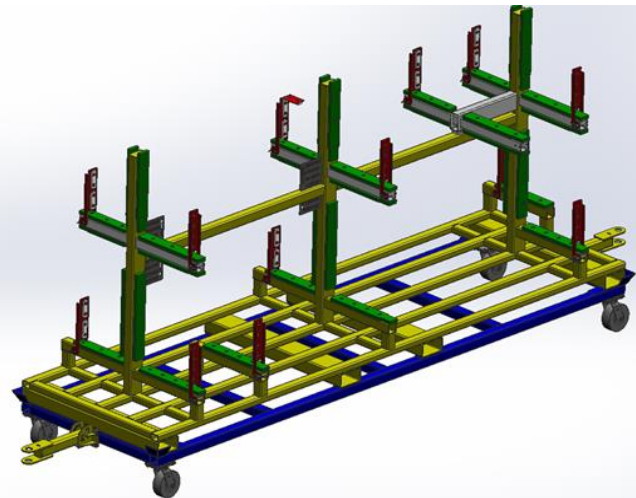
- ✓ Productivity: Improved Productivity





## Production Cart Design for Fuel tank installation

- To install Fuel Tank on 5800 Grinder Machine
- Conceptualization, modelling and detailing.



## Mast transport Cart

- Designed transport cart for the all mast section of the Telehandler

Projected Benefits:

- ✓ Productivity: Improved Productivity